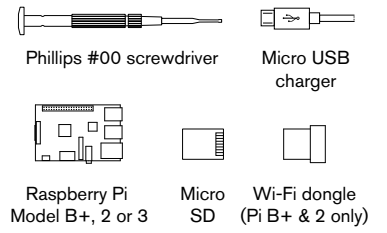


# tingbot

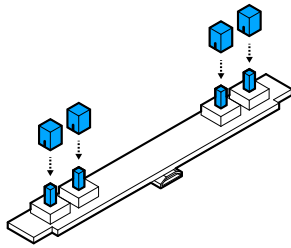
v1.1

tingbot.com

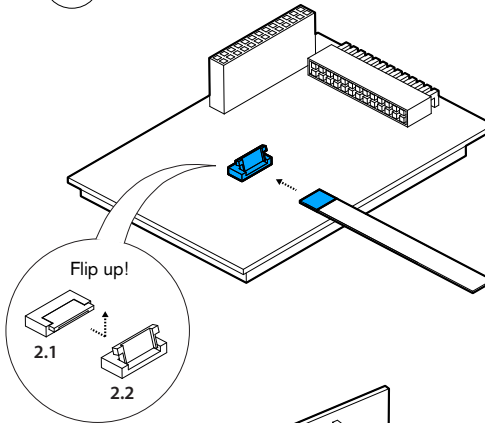
Also required:



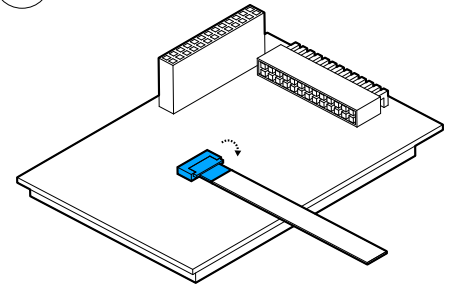
1



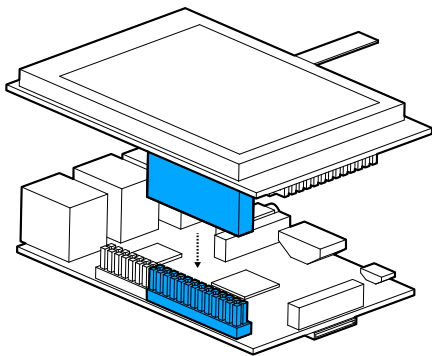
2



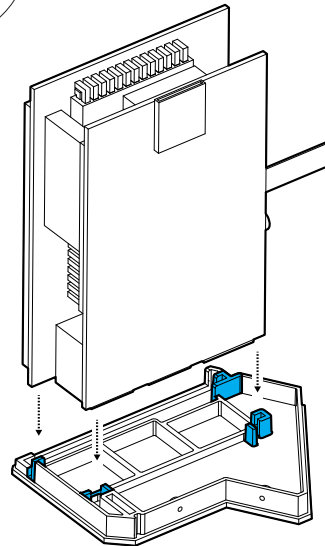
3



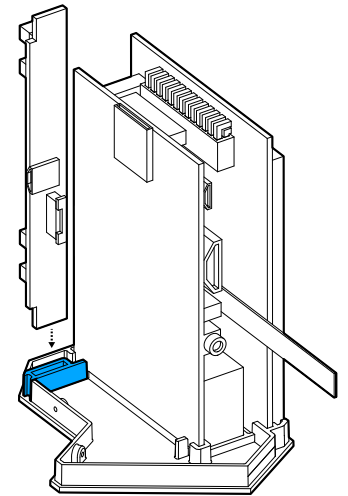
4



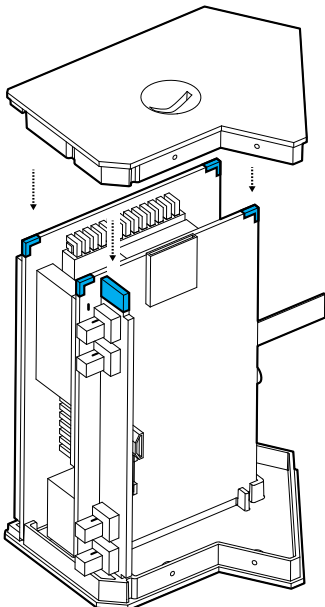
5



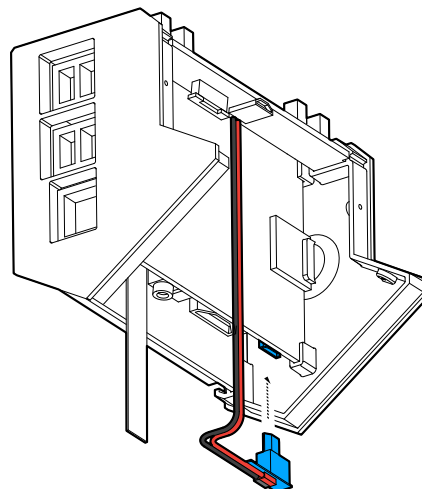
6



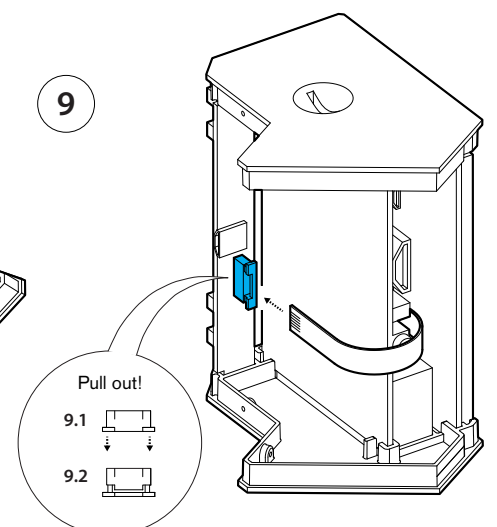
7



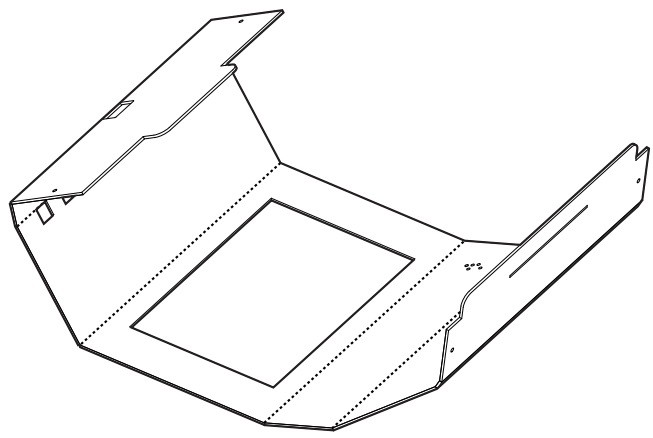
8



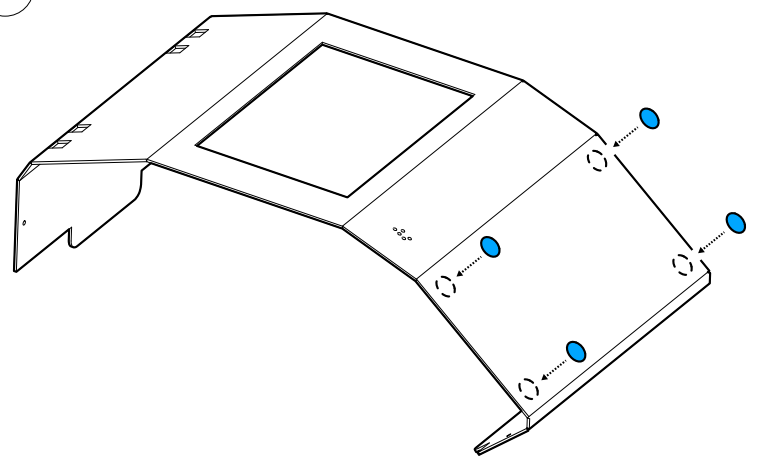
9



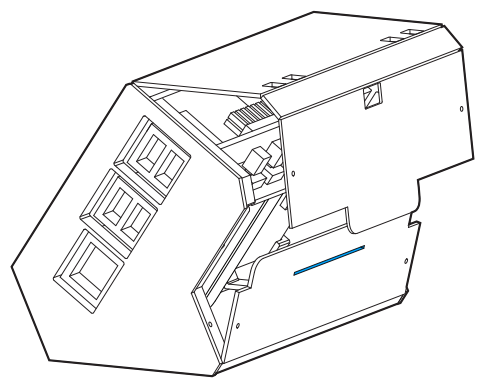
10



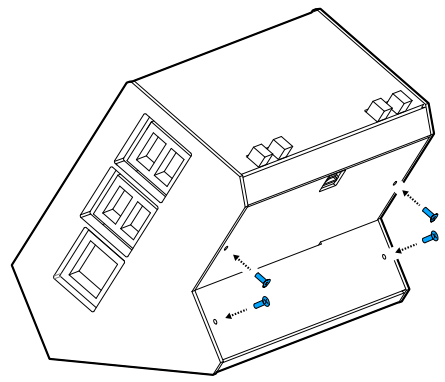
11



12

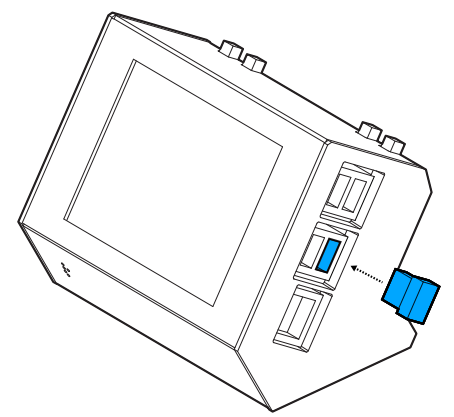


13

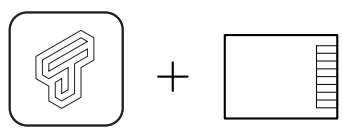


14 \*

\* Not required for Raspberry Pi 3 due to built-in Wi-Fi



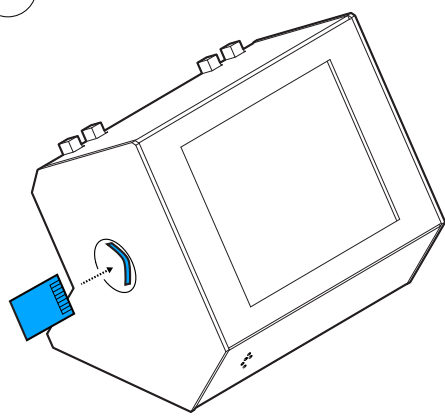
15



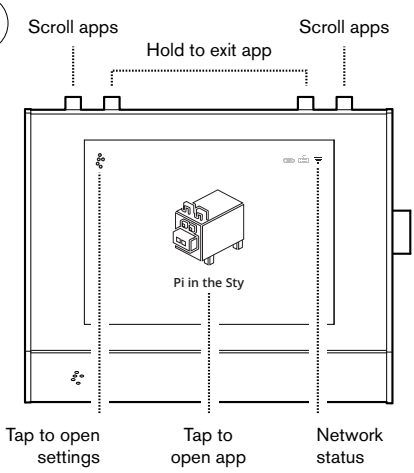
Now you're ready to install the software!

Go to [www.tingbot.com/setup](http://www.tingbot.com/setup) to install Tide on your computer and Tingbot OS to the SD.

16



17



### Tingbot assembly:

- 1 Push the **buttons** onto the **button board**.
- 2 Flip up the **ribbon cable** connector on the **screen module**.
- 3 Slide the **ribbon cable** into the connector (ensure the blue tab is face up). Lock the **ribbon cable** in place by flipping the connector back down.
- 4 Push the **screen module** onto the **Raspberry Pi** GPIO pins (ensure cable passes between the module and the Pi).
- 5 Place **cap A** on a flat surface. Push the assembled **screen module & Raspberry Pi** into the slots that grip the circuit boards.

- 6 Push the **button board** into the slot.
- 7 Repeat step 5 for **cap B**.
- 8 Connect the **micro USB** cable from the **button board** to the **Raspberry Pi**.
- 9 Pull out the **ribbon cable** connector on the **button board**. Slide the **ribbon cable** into the connector and click into place (ensure cable is not twisted and the blue tab is facing the **Raspberry Pi**). Lock the **ribbon cable** in place by pushing the connector back in.
- 10 Place the **wrap** face down. Fold the seven score lines back to form the outer shell.
- 11 Attach **sticky feet** to the etched circles on the bottom of the **wrap**.

- 12 Fold the **wrap** around the structure and clip into place.
- 13 Use a **Philips #00 screwdriver** to screw the **mini screws** in place.
- 14 Insert a **Wi-Fi dongle** into one of the **Raspberry Pi** USB ports (or connect an ethernet cable to the ethernet port).
- 15 Time to set up Tide and Tingbot OS.
- 16 Once setup is complete, eject the **micro SD** card and insert it into **Tingbot**.
- 17 Plug a **micro USB charger** into the back of **Tingbot** and you're good to go!

